

Product Name **Chroma Extension Tilt**

Model Number **CHRT**



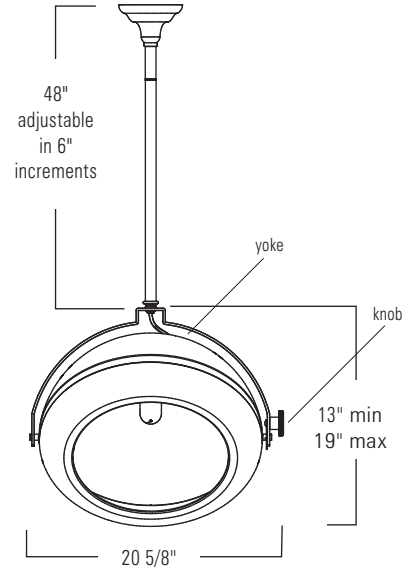
Chroma Tilt Pendant
Architectural Bronze Powder Coat / ABPC
Yoke Matte Black Powder Coat / MBPC
Knob shown in Satin Brass / SB



Chroma Tilt Wall Mount / CHRW
Polished Aluminum / PA



Chroma Wood Tripod / CHRTR
Dome Matt Black
Powder Coat / MBPC
Knob Brushed Nickel / BN



Chroma Pendant / CHR
Shiny Red Powder Coat / SRPC

Product Name / Dimensions	Mounting Options	Dome Finish Options	Lamping Options						
<p>Chroma Tilt Pendant / CHRT</p> <table border="1"> <tr> <td>Body-Height</td> <td>Width</td> <td>Overall Height</td> </tr> <tr> <td>12 1/2"</td> <td>20 5/8"</td> <td>67" maximum</td> </tr> </table>	Body-Height	Width	Overall Height	12 1/2"	20 5/8"	67" maximum	<p>Standard Single Stem / SS</p>	<p>Standard Architectural Bronze Powder Coat / ABPC Polished Aluminum / PA Brushed Aluminum / BA Matte Black Powder Coat / MB Metal Knob Finish Brushed Nickel / BN Satin Brass / SB Standard Stem, Canopy and Yoke Matte Black / MB ONLY Premium Custom Colors</p>	<p>Standard Incandescent / IN (1) 150W max medium base Edison</p>
Body-Height	Width	Overall Height							
12 1/2"	20 5/8"	67" maximum							