



Job Name:

Contact:

Ordering Code:

Fixture Type:

# Cassini



920 white



921 smoky



922 bourbon

### Description

Bruck's European and American Artisan, mouth-blown glass is known throughout the world for its quality and beauty. Several light source options, mounting options, colors and finishes allow for a unique design.

It is offered in matte chrome, chrome or bronze and is compatible with any Bruck line voltage track as well as Halo® single circuit for retrofit. Chrome and matte chrome finish provided with clear cord. Bronze finish provided with black cord. The pendant can be mounted from Bruck's field adjustable 4" Canopy and accepts GU24(LED/CLF) or medium base lampping options. Standard overall cable length of 59" can be field-cut or specified when ordering.

### Ordering Codes

Follow the steps to specify your fixture,

example:

1 Light Source	2 Shade Color	3 Finish	4 Base Option*	5 Mounting Option
<b>113</b> LED† <b>110</b> line voltage	<b>920</b> white <b>921</b> smoky <b>922</b> bourbon	<b>bz</b> bronze <b>ch</b> chrome <b>mc</b> matte chrome	GU24 base† <b>IN</b> medium E26 base	<b>MP</b> 4" Canopy <b>ecobk</b> ECO/HALO black <b>ecosv</b> ECO/HALO matte silver <b>ecowh</b> ECO/HALO white <b>geobk</b> GEO black <b>geosv</b> GEO matte silver <b>geowh</b> GEO white <b>zonmc</b> Zonyx matte chrome <b>MULTI</b> Line voltage multi-point

**NOTES:**  
†113 with GU24 base offered  
in 920 white shade only

**NOTES:**  
\*Options for 110 only. IN replaces standard GU24 base for medium E26 base

**NOTES:**  
†MULTI with 110 line voltage only

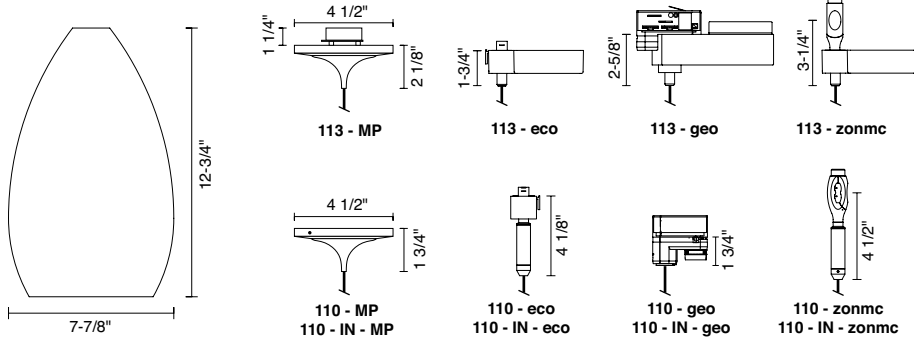


Job Name:

Contact:

Ordering Code:

Fixture Type:



**Light Source**

**113 - LED**

**110 - line voltage (GU24)**

**110 - IN - line voltage (E26)**

**Performance**

<p>LED LUMENS CCT SDCM CRI LIFE</p>	<ul style="list-style-type: none"> <li>Nichia 757D</li> <li>1000 lm</li> <li>3000k</li> <li>3 MacAdam Ellipse, +/- 75 Kelvin</li> <li>&gt;90</li> <li>based on IESNA-LM80-2008: 70% of initial lumens after 60,000 hrs</li> </ul>	<ul style="list-style-type: none"> <li>lamp dependent</li> </ul>	<ul style="list-style-type: none"> <li>lamp dependent</li> </ul>
---	---	--	--

**Technical Specs**

<p>Socket Listing</p>	<ul style="list-style-type: none"> <li>integrated LED module</li> <li>ETLus Listed to UL1598, and UL1574 (Suitable for dry locations only)</li> <li>cETL Listed to CSA C22.2 #250.0 and #9.0</li> </ul>	<ul style="list-style-type: none"> <li>GU24 base socket</li> <li>ETLus Listed to UL1598, and UL1574 (Suitable for dry locations only)</li> <li>cETL Listed to CSA C22.2 #250.0 and #9.0</li> </ul>	<ul style="list-style-type: none"> <li>medium E26 base socket</li> <li>ETLus Listed to UL1598, and UL1574 (Suitable for dry locations only)</li> <li>cETL Listed to CSA C22.2 #250.0 and #9.0</li> </ul>
-----------------------	---	--	--

**Mounting**

<p>4" Canopy</p>	<ul style="list-style-type: none"> <li>100-277VAC, 50/60Hz input</li> <li>18W, 20VA</li> <li>Trailing Edge (ELV) dimming</li> <li>Mount to 3" - 4" round J-Box</li> </ul>	<ul style="list-style-type: none"> <li>120VAC input</li> <li>28W, 28VA (max 28W lamp)</li> <li>Dimmable (with compatible lamp)</li> <li>Mount to 3" - 4" round J-Box</li> </ul>	<ul style="list-style-type: none"> <li>120VAC input</li> <li>100W, 100VA (max 100W lamp)</li> <li>Dimmable (with compatible lamp)</li> <li>Mount to 3" - 4" round J-Box</li> </ul>
<p>Line Voltage Track</p>	<ul style="list-style-type: none"> <li>100-277VAC, 50/60Hz input</li> <li>18W, 20VA</li> <li>Trailing Edge (ELV) dimming</li> <li>Connects to line voltage adapter (ECO, GEO, Zonyx)</li> </ul>	<ul style="list-style-type: none"> <li>120VAC input</li> <li>28W, 28VA (max 28W lamp)</li> <li>Dimmable (with compatible lamp)</li> <li>Connects to line voltage adapter (ECO, GEO, Zonyx)</li> </ul>	<ul style="list-style-type: none"> <li>120VAC input</li> <li>100W, 100VA (max 100W lamp)</li> <li>Dimmable (with compatible lamp)</li> <li>Connects to line voltage adapter (ECO, GEO, Zonyx)</li> </ul>
<p>MULTI</p>	<ul style="list-style-type: none"> <li>120VAC input</li> <li>28W, 28VA (max 28W lamp)</li> <li>Dimmable (with compatible lamp)</li> <li>Mount to line voltage multi-point canopy</li> <li>Provided with field adjustable cord only</li> </ul>	<ul style="list-style-type: none"> <li>120VAC input</li> <li>100W, 100VA (max 100W lamp)</li> <li>Dimmable (with compatible lamp)</li> <li>Mount to line voltage multi-point canopy</li> <li>Provided with field adjustable cord only</li> </ul>	<ul style="list-style-type: none"> <li>120VAC input</li> <li>100W, 100VA (max 100W lamp)</li> <li>Dimmable (with compatible lamp)</li> <li>Mount to line voltage multi-point canopy</li> <li>Provided with field adjustable cord only</li> </ul>

**Warranty**

<ul style="list-style-type: none"> <li>5 year limited fixture warranty</li> </ul>	<ul style="list-style-type: none"> <li>1 year limited fixture warranty</li> </ul>	<ul style="list-style-type: none"> <li>1 year limited fixture warranty</li> </ul>
---	---	---



Made in the USA - meets the requirements of the Buy American provision within the ARRA



Job Name:

Contact:

Ordering Code:

Fixture Type:

# Vintage LED Lamps for E26 base sockets

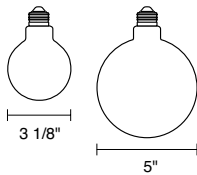


- Amber Glass Lamp with Thread LED
- Integrated Driver-Free System
- Suitable for Damp Locations
- Smooth Dimming System\*
- 25,000 Hours Warranty
- 95% Energy Savings

\*Compatible with most electronic low voltage (ELV) dimmers



## LED Globe Lamp



Ordering Codes  
Follow the steps to specify your fixture,

example:

Ordering Code	Type	Base	Lumen	Wattage /EQV	MOL	MOD	CCT <sup>2</sup>
<a href="#">LMP-G4030022K1</a>	G40	E26	300lm	3.5W / 60W	7.0"	5.0"	2200K
<a href="#">LMP-G2518022K1</a>	G25	E26	180lm	2.0W / 40W	4.5"	3.15"	2200K

## LED Edison Lamp



Ordering Codes  
Follow the steps to specify your fixture,

example:

Ordering Code	Type	Base	Lumen	Wattage /EQV	MOL	MOD	CCT <sup>2</sup>
<a href="#">LMP-ED2118022K1</a>	ST21	E26	180lm	2.0W / 40W	5.4"	2.45"	2200K

## LED Tubular Lamp



Ordering Codes  
Follow the steps to specify your fixture,

example:

Ordering Code	Type	Base	Lumen	Wattage /EQV	MOL	MOD	CCT <sup>2</sup>
<a href="#">LMP-TB1030022K1</a>	T10	E26	300lm	3.5W / 60W	7.56"	1.25"	2200K